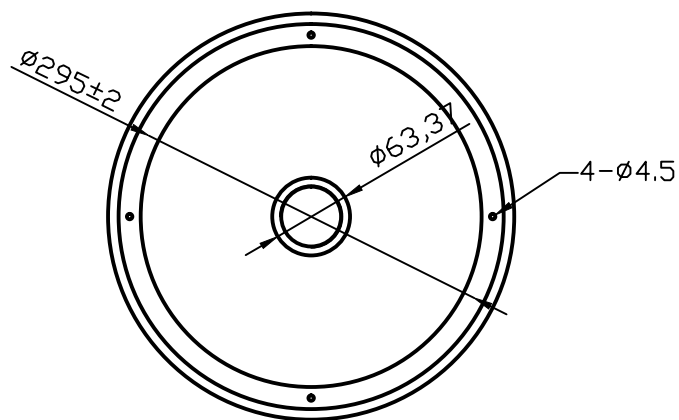


technical standard

1, product after passivation and pickling appear bright

2, volume standard: $10^{+0.35}_{+0.1}$ L

3, working pressure: ≤ 0.3 Mpa test pressure: ≤ 0.5 Mpa



design		revised		SLIM KEG 312			
drafting		verify					
time		authorize				weight	
				proportion	1:6		
				material	SUS 304 / 1.4301		